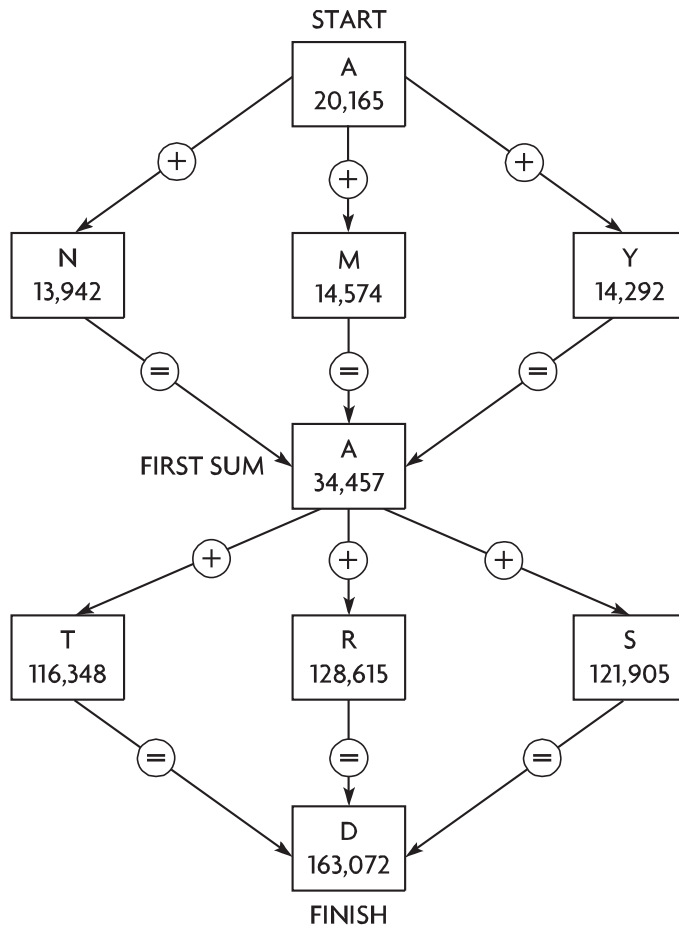


3-Foot Path

Find the path with the addends that correctly lead from the **START** box to the **FIRST SUM** box, and from there to the sum in the **FINISH** box. Then write the letters of the 5 boxes on your path in order to answer the riddle.



Where can you buy a ruler that is 3 feet long?

AT _____ **SALE**